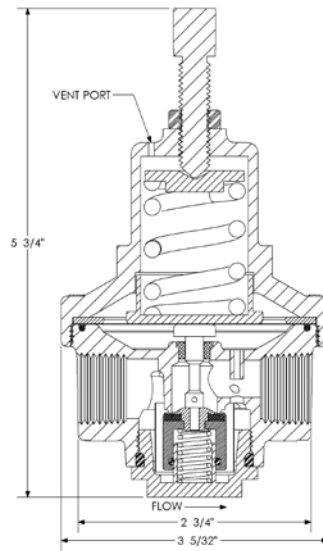
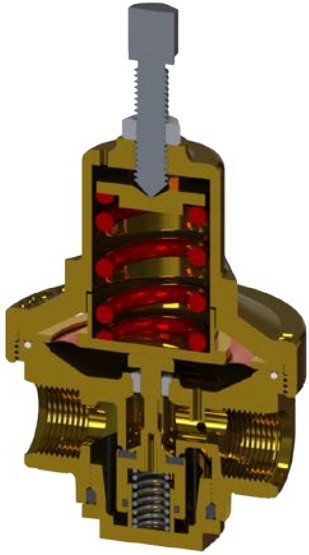
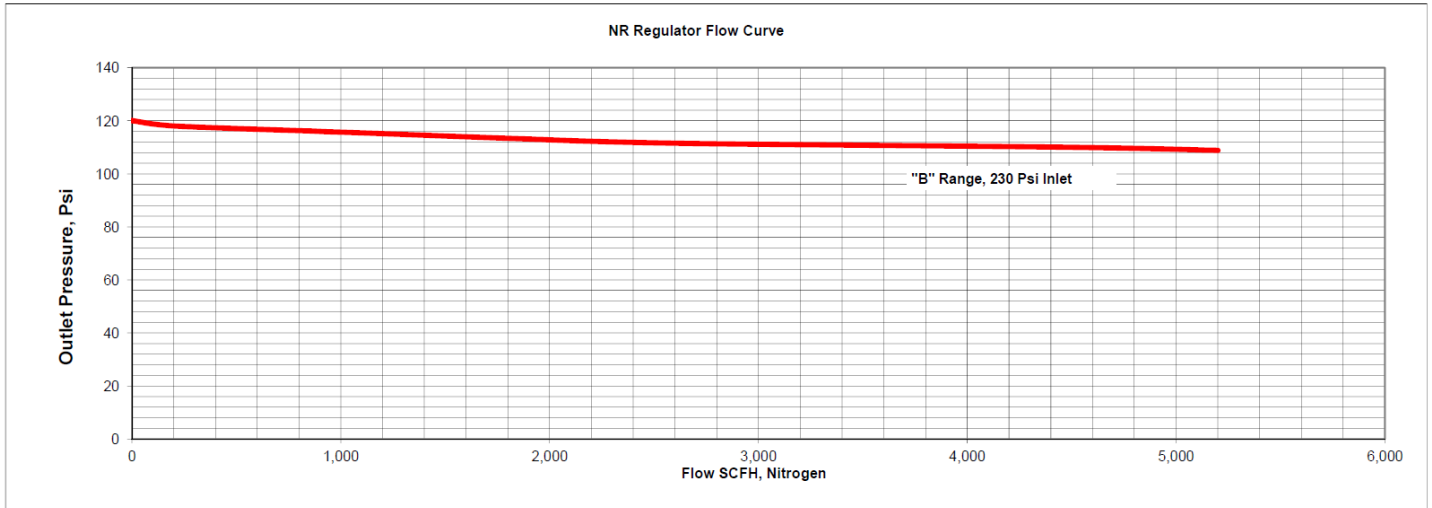




# SERIES NR REGULATOR

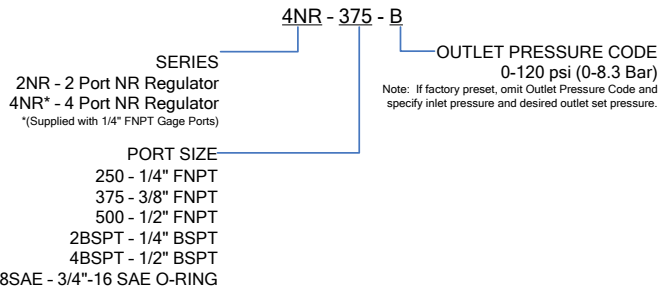


## Flow Capacity



Flow Capacity is system dependent. For accurate flow capacity data, consult Generant with your specific system characteristics for more information.

## How To Order



For additional configurations consult factory.

## Repair Kit

**Includes:** Valve and O-Ring Assembly, Bottom Plug O-Ring, Valve Spring, Filter/Strainer, Valve Stem, Preformed Phosphorous Bronze Diaphragms (2) and Diaphragm O-Ring.

**Specify:** NR-RK-500

*Note: Repair Kit fits all port sizes.*

## Replacement Spring Kits

**Includes:** Adjustment Screw and Spring

**Specify:** NR-SK-500-B, 0-120 PSI Range

**PROPER COMPONENT SELECTION** – When specifying a component, the total system design must be considered to ensure safe and trouble-free performance. Intended component function, materials compatibility, pressure ratings, installation, environment and maintenance are the responsibility of the system designer.



[www.generant.com](http://www.generant.com)

1865 Route 23 South PO Box 768 Butler, New Jersey 07405 973.838.6500 Fax 973.838.4888