

**LIQUID CYLINDER VALVE**  
**1/4" NPT**  
**22 - 500 Psig (1.5 – 34.5 Bar)**

**LCV**

**SERIES**

**Description**

The Series LCV Liquid Cylinder Pressure Control/Relief Valve is designed exclusively for use on DOT 4L Cryogenic Liquid Cylinders. The LCV dramatically reduces the noise associated with traditional cylinder relief device discharge. Under normal operating conditions, the LCV optimizes cylinder performance by venting only what is required to maintain cylinder pressure in a tight band. In the event that circumstances demand, the LCV has adequate flow capacity to ensure safety, meeting all industry and regulatory requirements.

**Features**

- Designed exclusively for use on DOT 4L Liquid Cylinders
- Eliminates disruptive “pop” historically associated with traditional cylinder relief devices
- Incorporates the customer proven “Dirt Guard” poppet
- Accurately maintains and controls cylinder pressure minimizing product loss
- Exceeds industry and regulatory flow capacity requirements
- Complies with OSHA sound level regulations
- Extensively field qualified
- OEM approved and endorsed
- Cleaned and Packaged for Oxygen Service



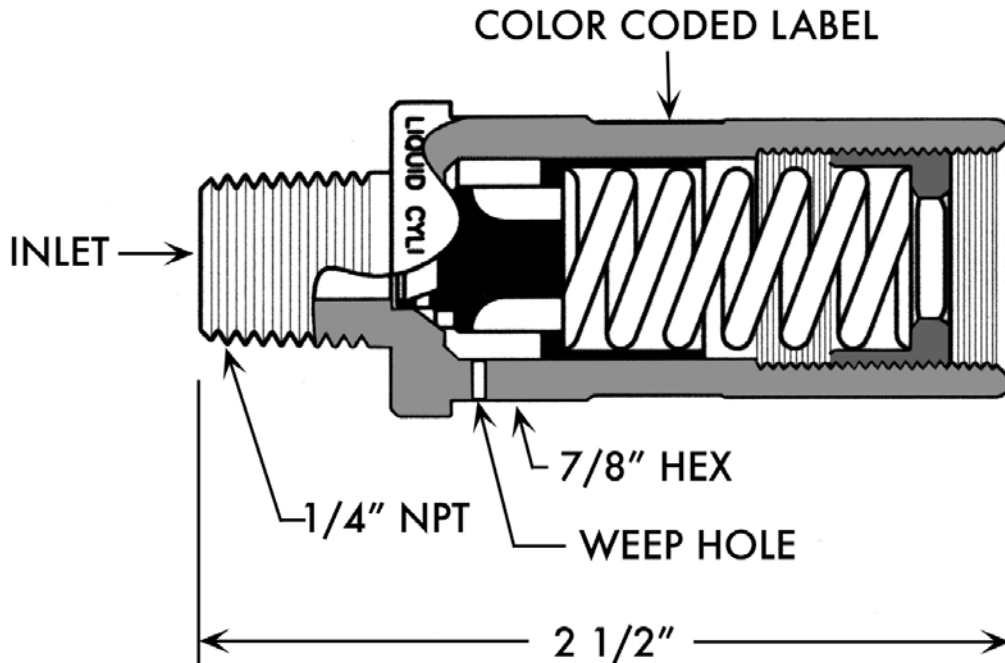
**Technical Data**

Nominal Set Pressure Range: 22 - 500 Psig (1.5 to 34.5 Bar)  
 Factory Set Tolerance\*: Set Pressure ≥ 72.5 PSI, ± 3%  
 Set Pressure < 72.5 PSI, ± 2.175 PSI  
 \*tolerance specifications per EN ISO 4126-1.  
 Zero Leakage to 95% of Set Pressure  
 Reseat: 90% of set pressure  
 Temperature Rating: -320° to 350° F (-196° C to 176° C)  
 based on seal material (see How To Order)  
 Lubricant: Krytox®

**Materials of Construction**

Component	Material	
Valve, Body, Poppet, Spring Retainer, and Screen	Brass, ASTM B16	
Spring	302 (ASTM A313) or 17-4PH (ASTM A564)	
Seal	Flourosilicone 22 to 49 Psig (1.5 to 3.4 Bar)	PCTFE 50 to 500 Psig (3.5 to 34.5 Bar)
Label	.004 Thick Mylar	

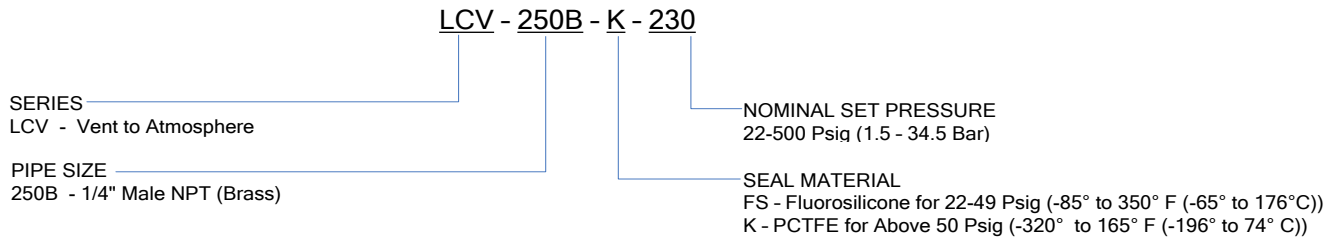
# LIQUID CYLINDER VALVE



## Flow Data

Set Pressure (PSIG)	Flow Rate (SCFM N2)	
	110% Set Pressure	120% Set Pressure
22	11.8	12.4
100	21.8	31.0
230	43.9	64.7
350	61.2	85.3
500	77.1	111.4

## How To Order



PROPER COMPONENT SELECTION – When specifying a component, the total system design must be considered to ensure safe and trouble-free performance. Intended component function, materials compatibility, pressure ratings, installation, environment and maintenance are the responsibility of the system designer.



[www.generant.com](http://www.generant.com)

1865 Route 23 South PO Box 768 Butler, New Jersey 07405 973.838.6500 Fax 973.838.4888

SA.SL.LCV001.D.2234